

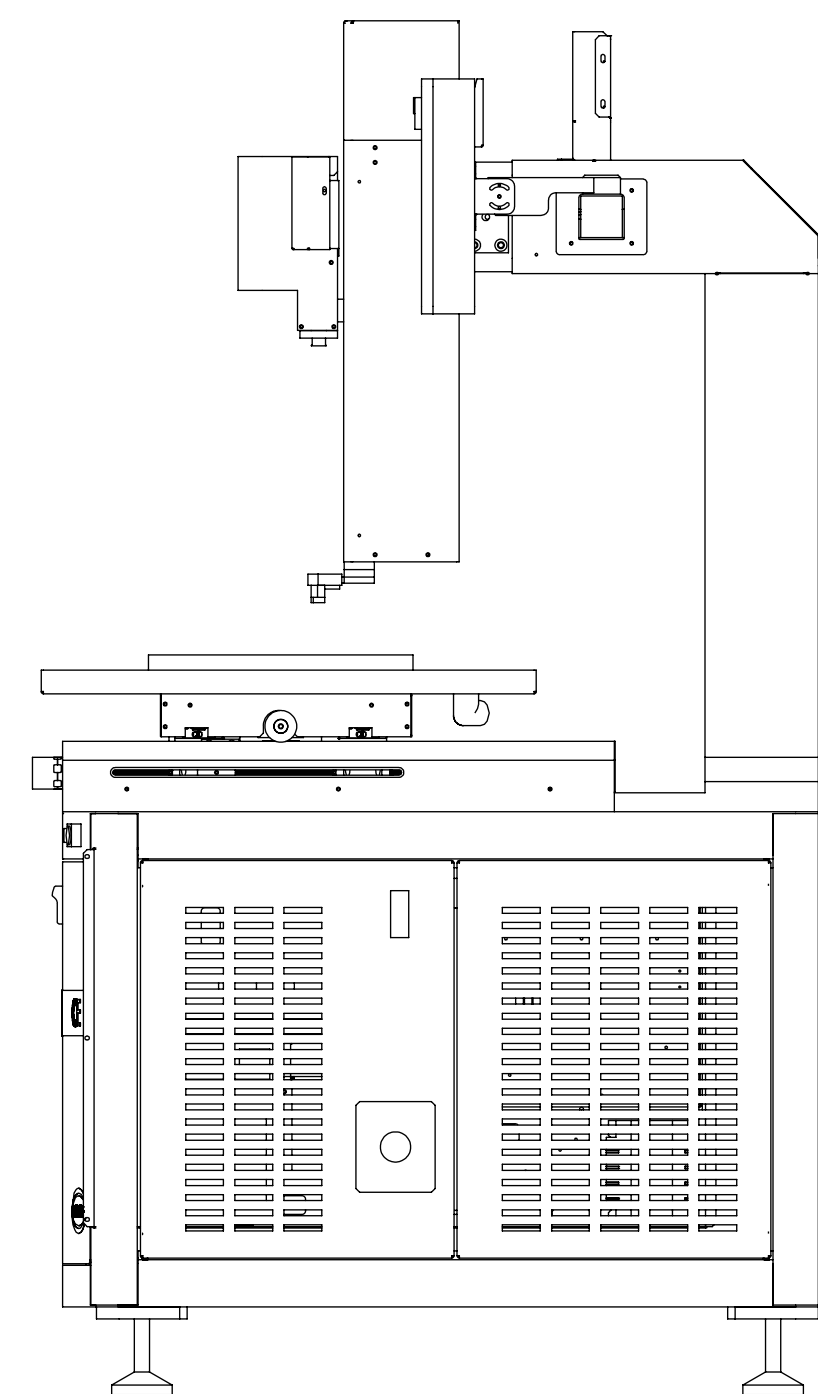
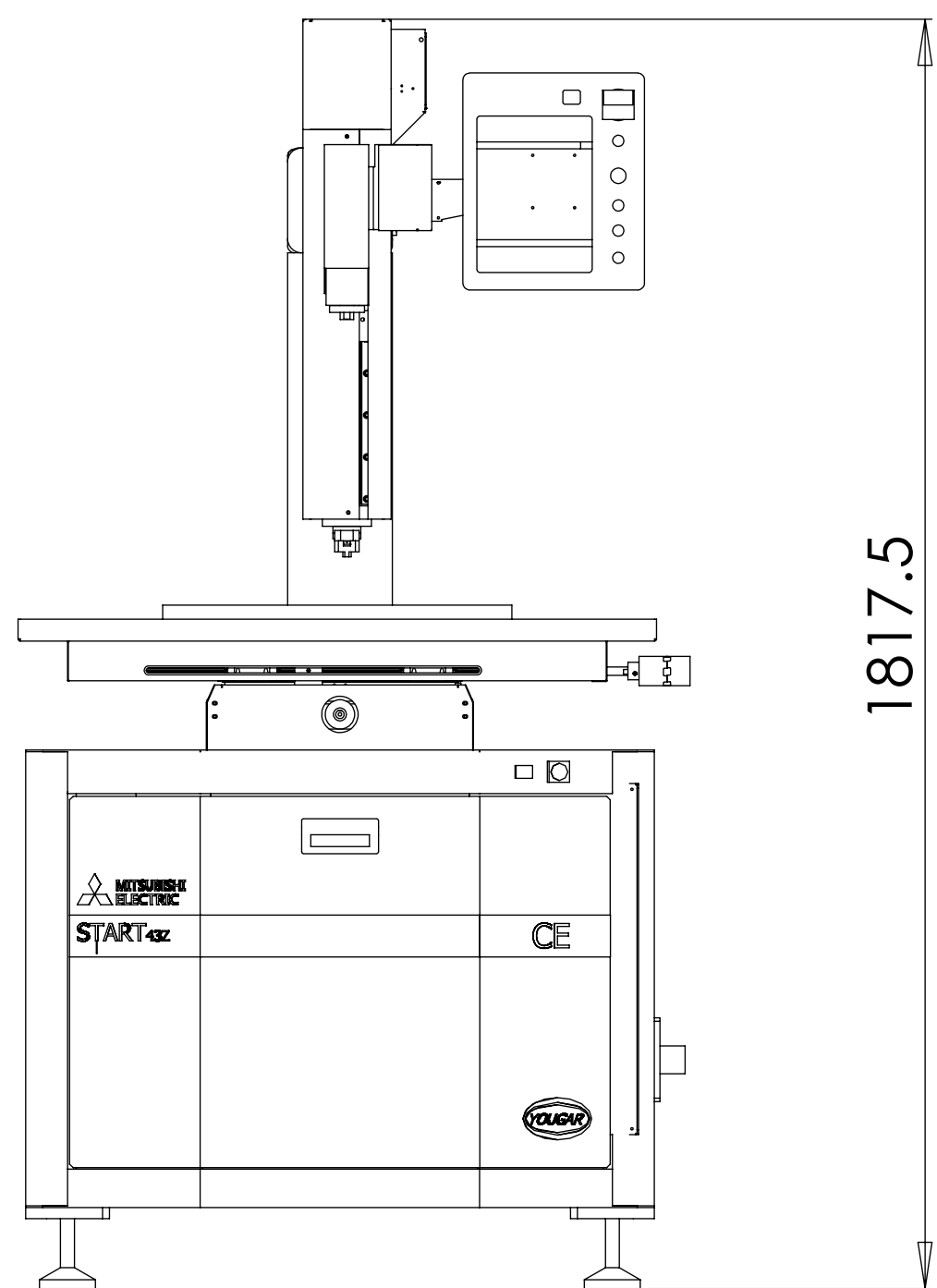
PREINSTALL INFORMATION (**YGS-43Z**)

1. INPUT POWER: 200-240 VAC, SINGLE PHASE
4KVA
2. WATER SUPPLY: 15 GALLONS TAP WATER
3. ELECTRICAL GROUND: COPPER GROUND
ROD

NOTE: AUTOMATIC VOLTAGE REGULATOR
REQUIRED FOR INCOMING POWER
FLUCTUATIONS +/- 5%

ENVIRONMENTAL CONSIDERATIONS (FOR OPTIMUM PERFORMANCE)

1. AMBIENT TEMPERATURE: 65-75 °F
WITH VARIATION LESS THAN 1 °F PER HOUR
2. HUMIDITY: 30%-50%
3. PLACEMENT: SOLID LEVEL GROUND FREE
OF VIBRATIONS, AVOID DIRECT SUNLIGHT



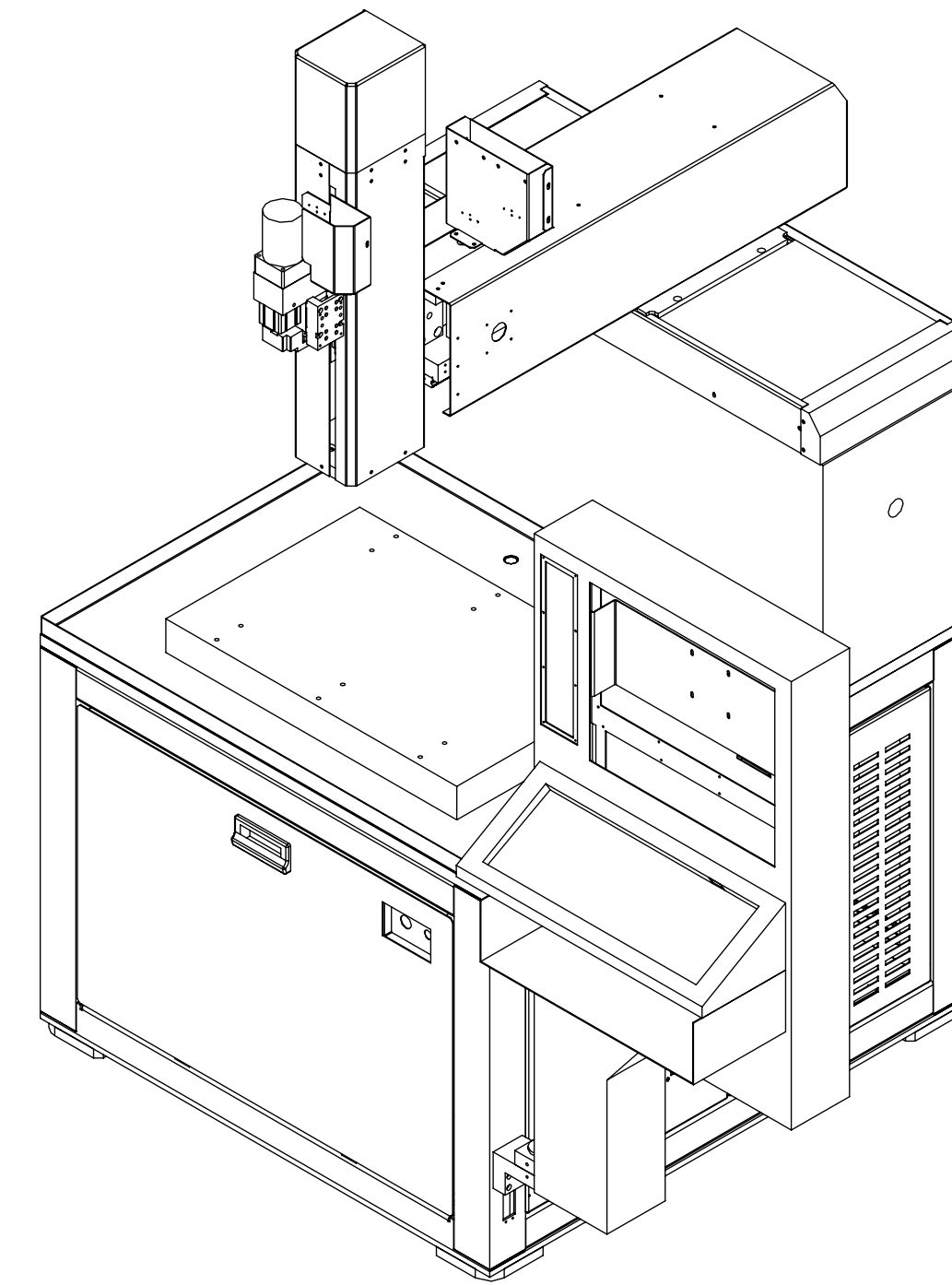
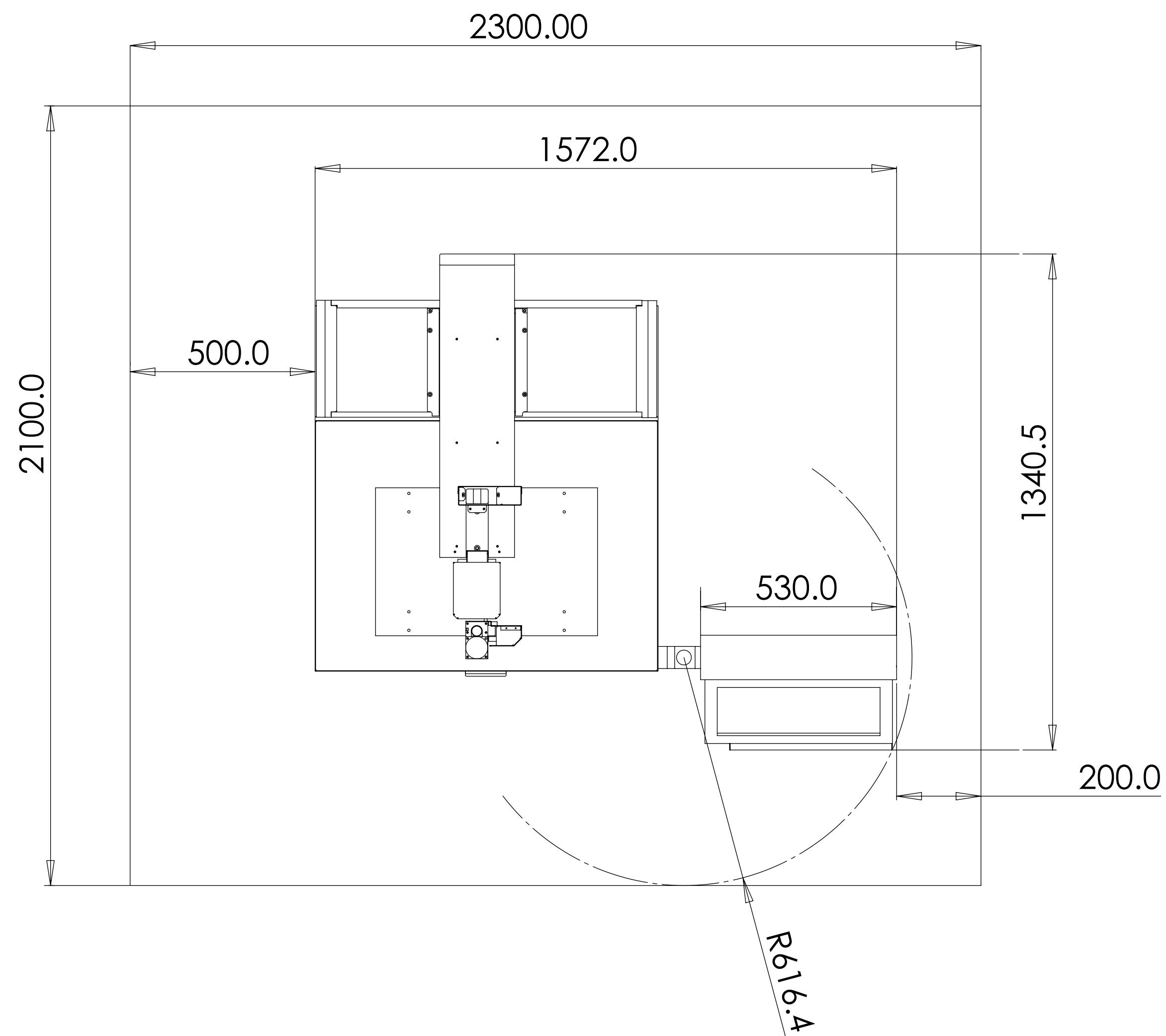
UNLESS OTHERWISE SPECIFIED:	NAME	DATE
DIMENSIONS ARE IN INCHES		10/5/16
TOLERANCES:	DRAWN	
FRACTIONAL ±	CHECKED	
ANGULAR: MACH ± 30° BEND ±	ENG APPR.	
TWO PLACE DECIMAL ± .01	MFG APPR.	
THREE PLACE DECIMAL ± .005	Q.A.	
INTERPRET GEOMETRIC TOLERANCING PER:		
MATERIAL:		
FINISH:		

TITAN
INTERNATIONAL SALES

TITAN

TITLE:
**EDM MACHINE
MAIN ASSEMBLY**

SIZE D	DWG. NO. YGS-43Z	REV
SCALE: 1:1	WEIGHT:	SHEET 1 OF 3



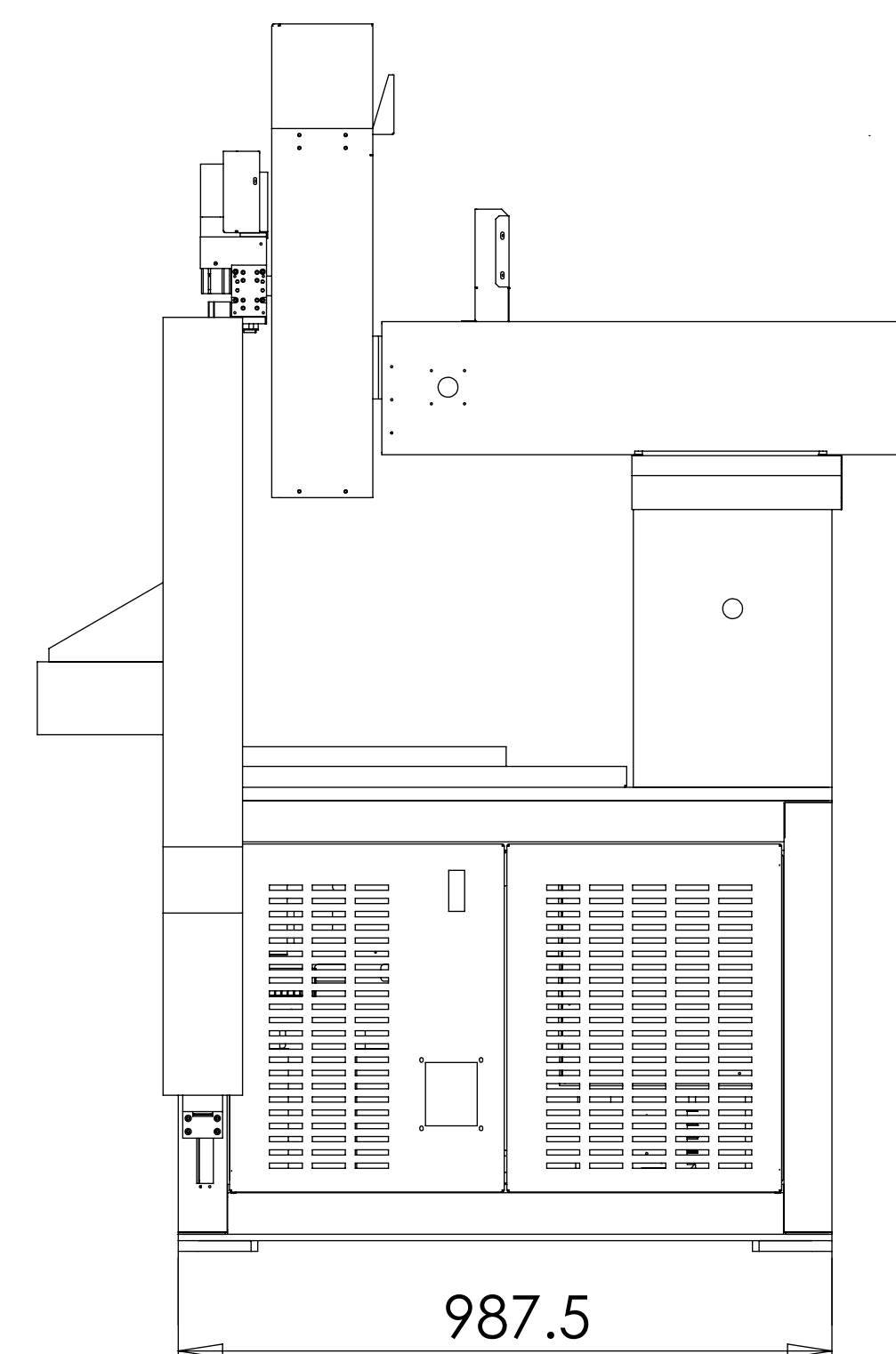
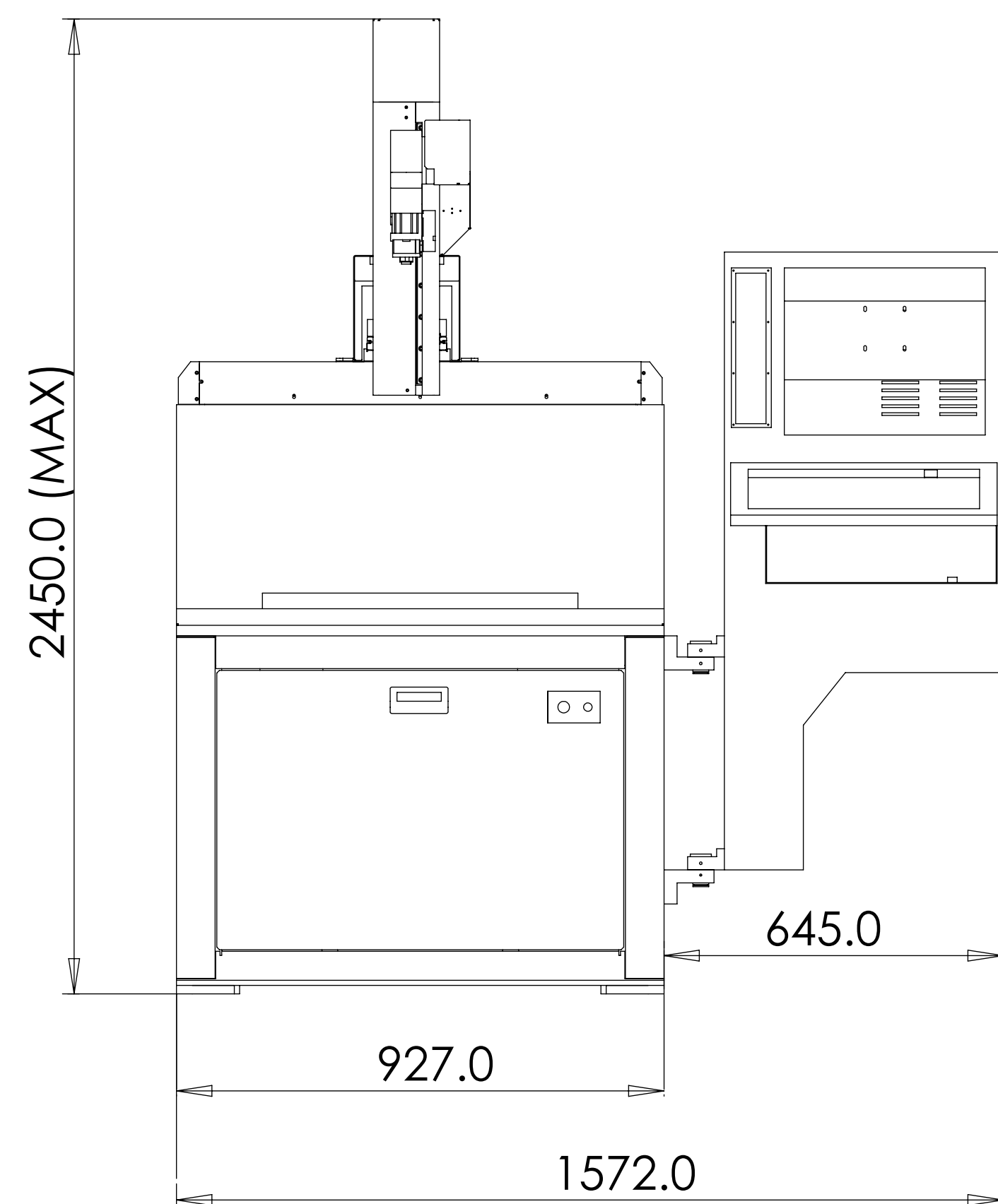
PREINSTALL INFORMATION (YGS-43C)

1. INPUT POWER: 200-240 VAC, SINGLE PHASE, 4KVA
2. WATER SUPPLY: 15 GALLONS TAP WATER
3. ELECTRICAL GROUND: COPPER GROUND ROD

NOTE: AUTOMATIC VOLTAGE REGULATOR REQUIRED FOR INCOMING POWER FLUCTUATIONS +/-5%

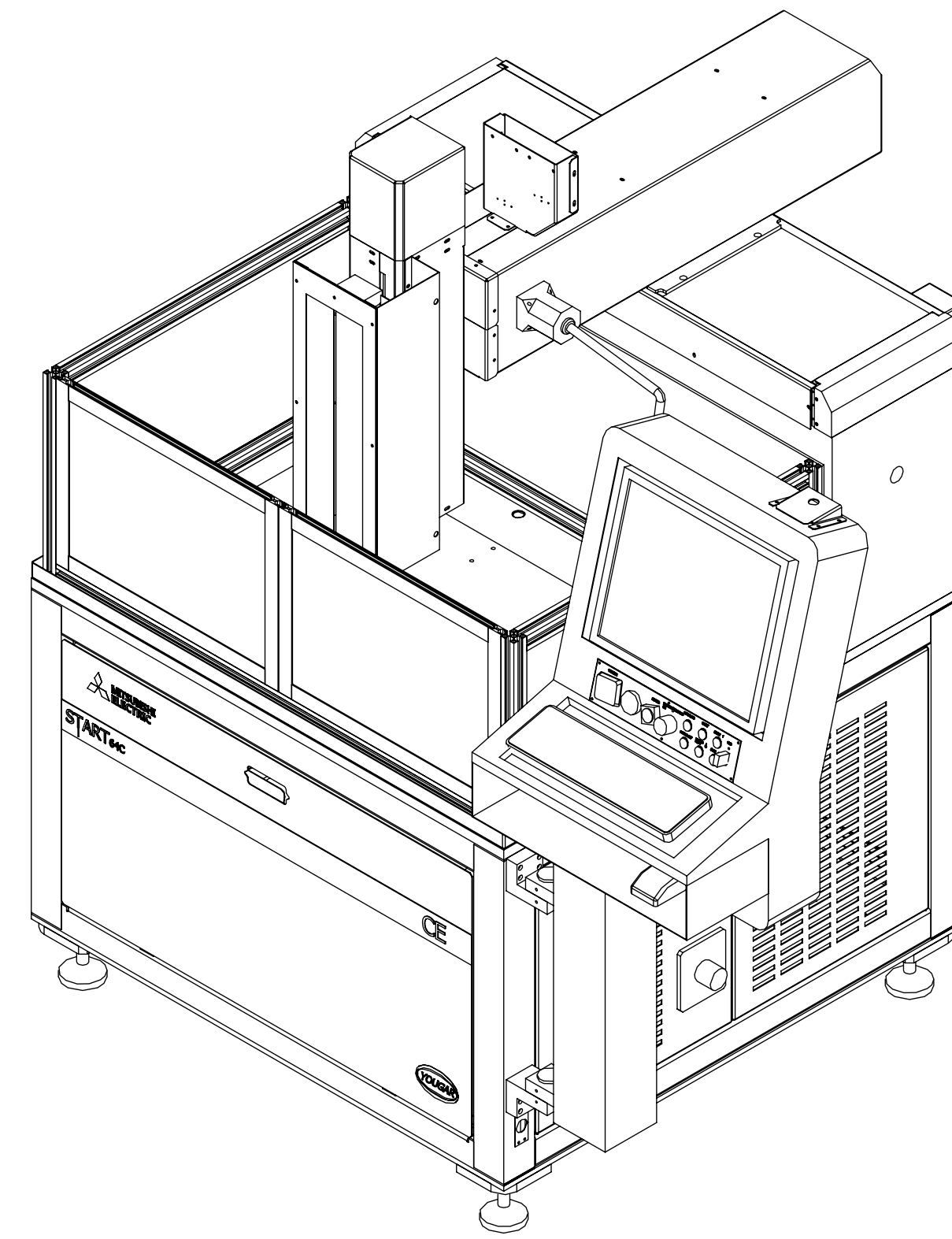
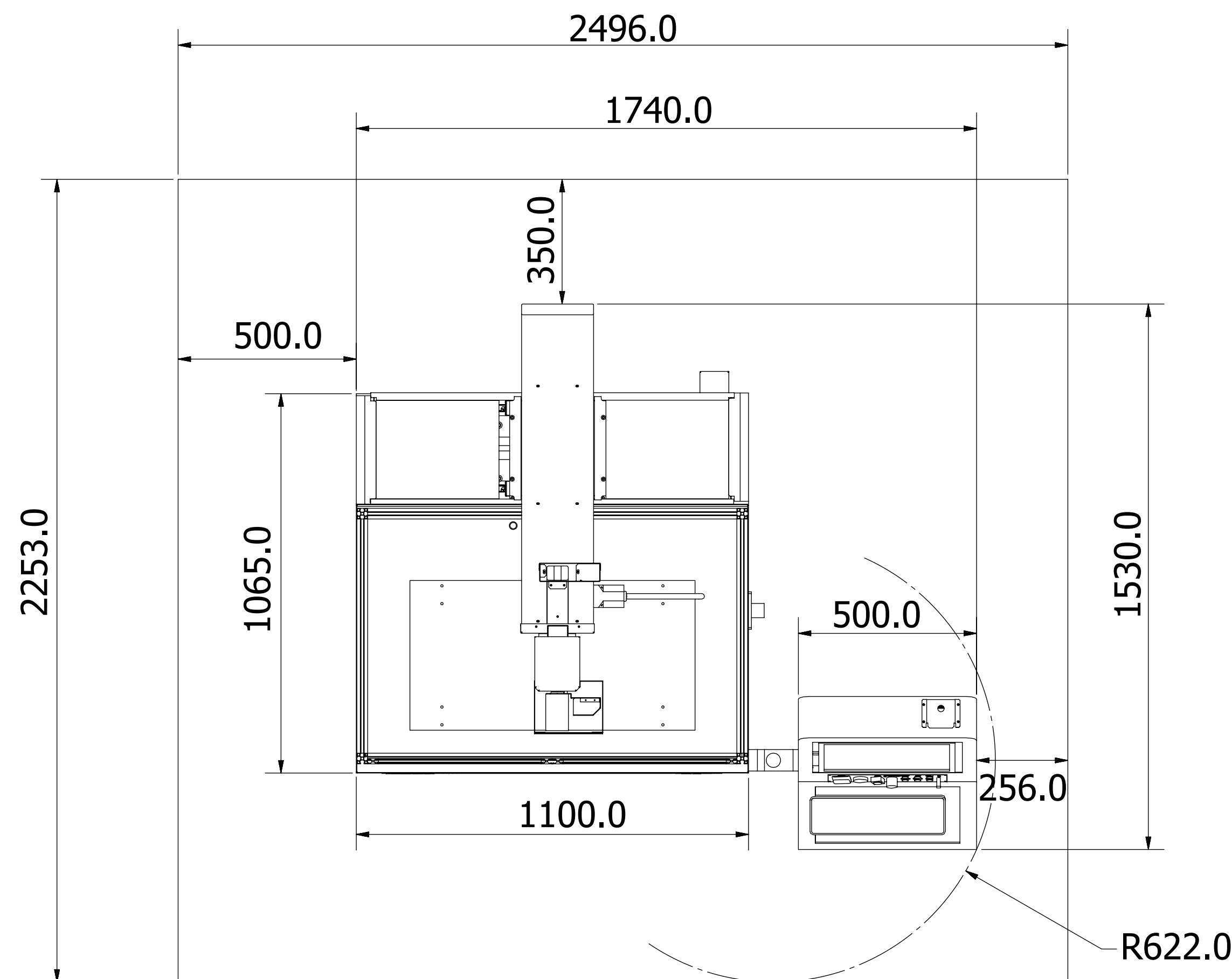
ENVIRONMENTAL CONSIDERATIONS (FOR OPTIMUM PERFORMANCE)

1. AMBIENT TEMPERATURE: 65-75 ° F, WITH VARIATION LESS THAN 1 ° F PER HOUR
2. HUMIDITY: 30%-50%
3. PLACMEMENT: SOLID LEVEL GROUND FREE OF VIBRATIONS, AVOID DIRECT EXPOSURE TO SUNLIGHT



UNLESS OTHERWISE SPECIFIED:	NAME	DATE
DIMENSIONS ARE IN INCHES	DRAWN	9/22/16
TOLERANCES:	CHECKED	
FRACTIONAL ±	ENG APPR.	
ANGULAR: MACH ± 30° BEND ±	MFG APPR.	
TWO PLACE DECIMAL ± .01	Q.A.	
THREE PLACE DECIMAL ± .005		
INTERPRET GEOMETRIC TOLERANCING PER:		
MATERIAL:		
FINISH:		
	 THIRD ANGLE PROJECTION	

TITAN INTERNATIONAL SALES		
TITAN		
TITLE: EDM MACHINE MAIN ASSEMBLY		
SIZE D	DWG. NO. YGS-43C	REV
SCALE: 1:1	WEIGHT:	SHEET 2 OF 3



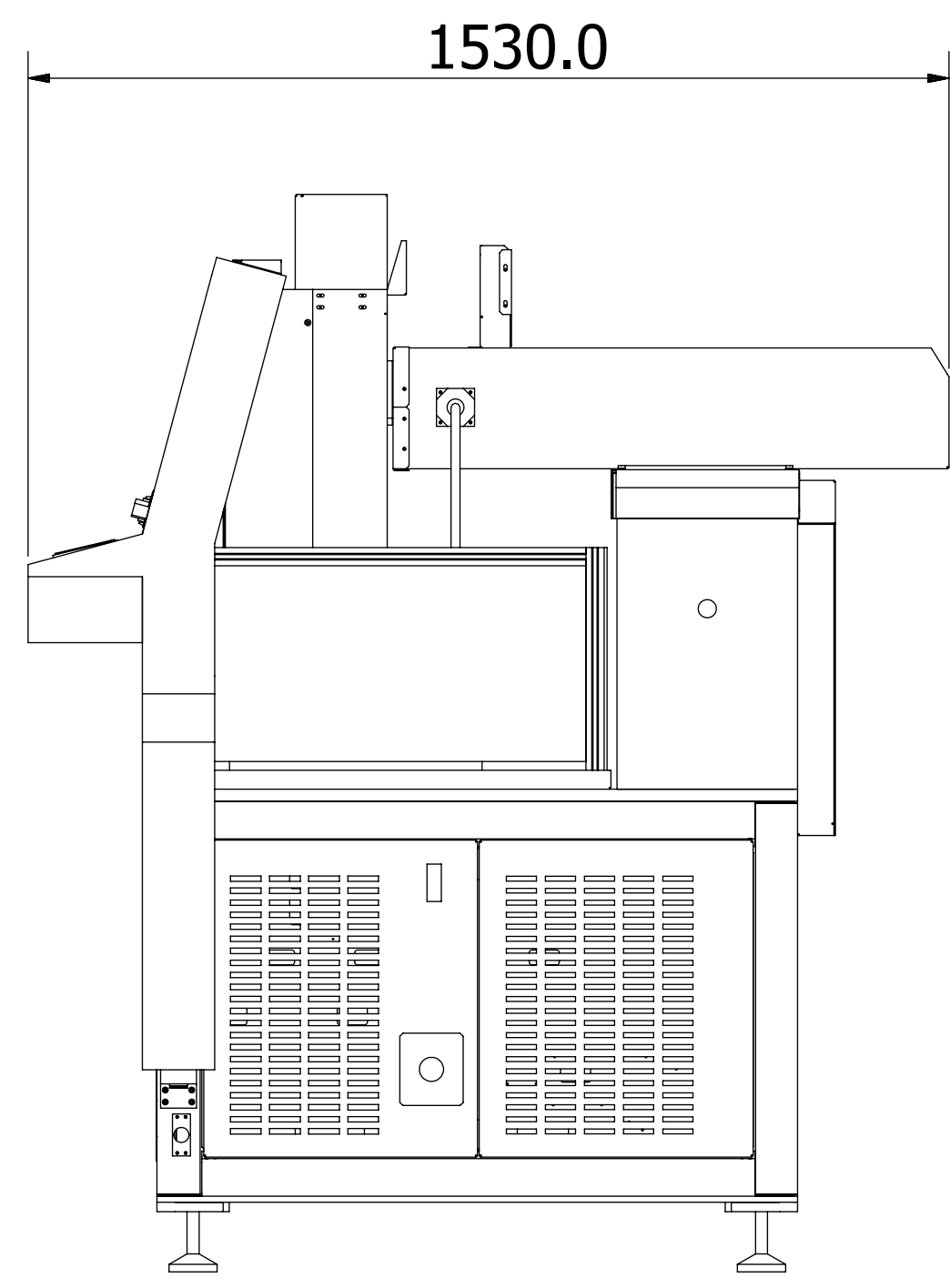
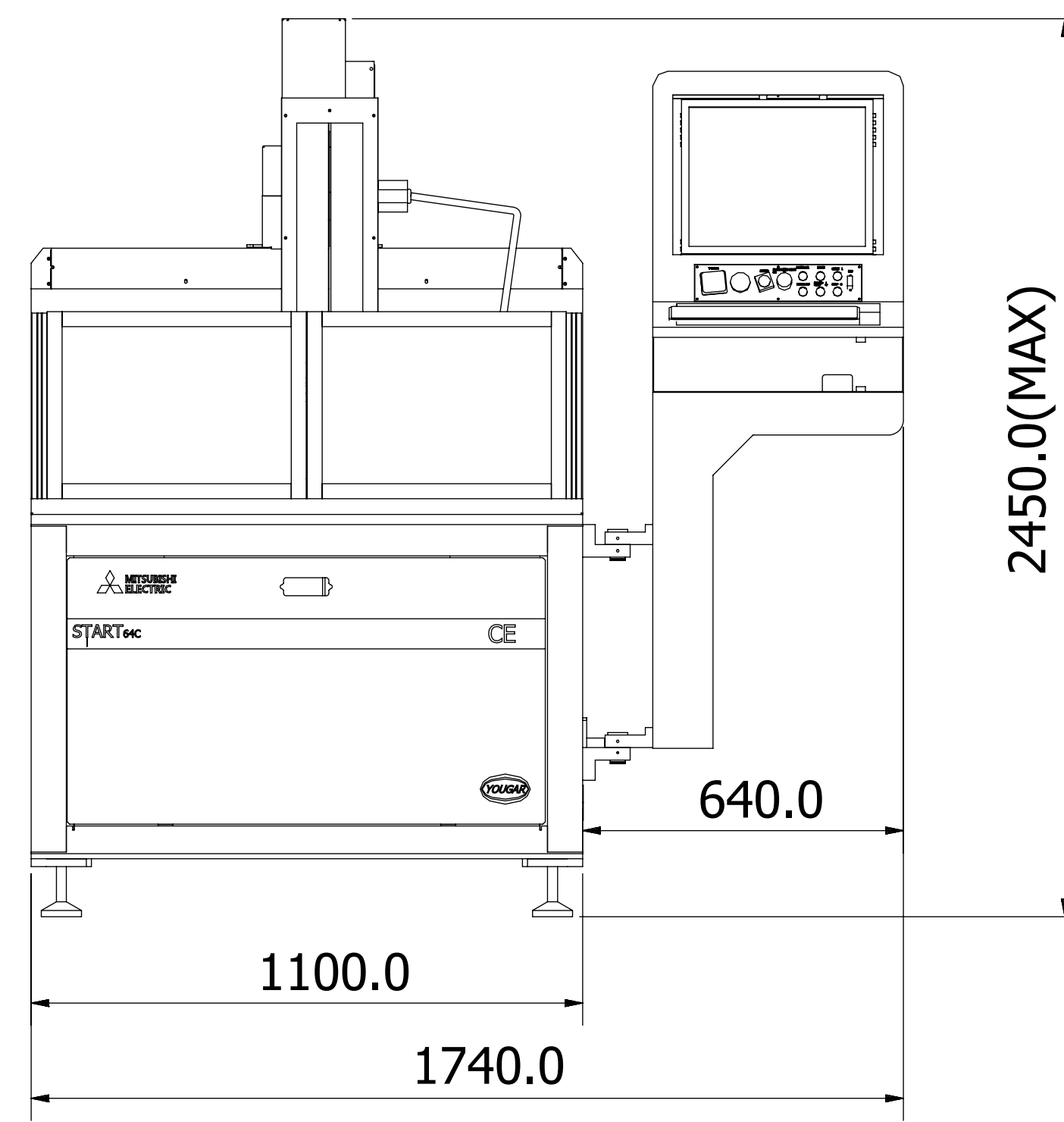
PREINSTALL INFORMATION (YGS-64C)

1. INPUT POWER: 200-240 VAC, SINGLE PHASE, 4KVA
2. WATER SUPPLY: 15 GALLONS TAP WATER
3. ELECTRICAL GROUND: COPPER GROUND ROD

NOTE: AUTOMATIC VOLTAGE REGULATOR REQUIRED FOR INCOMING POWER FLUCTUATIONS +/- 5%

ENVIRONMENTAL CONSIDERATIONS (FOR OPTIMUM PERFORMANCE)

1. AMBIENT TEMPERATURE: 65-75 ° F, WITH VARIATION LESS THAN 1 ° F PER HOUR
2. HUMIDITY: 30%-50%
3. PLACEMENT: SOLID LEVEL GROUND FREE OF VIBRATIONS, AVOID DIRECT EXPOSURE TO SUNLIGHT



UNLESS OTHERWISE SPECIFIED:	NAME	DATE
DIMENSIONS ARE IN INCHES	DRAWN	10/1/16
TOLERANCES:	CHECKED	
FRACTIONAL ±	ENG APPR.	
ANGULAR: MACH ± 30° BEND ±	MFG APPR.	
TWO PLACE DECIMAL ± .01	Q.A.	
THREE PLACE DECIMAL ± .005		
INTERPRET GEOMETRIC TOLERANCING PER:		
MATERIAL:		
FINISH:		

TITAN		
INTERNATIONAL SALES		
TITLE:		
EDM MACHINE MAIN ASSEMBLY		
SIZE	DWG. NO.	REV
D	YGS-64C	
SCALE: 1:1	WEIGHT:	SHEET 3 OF 3